

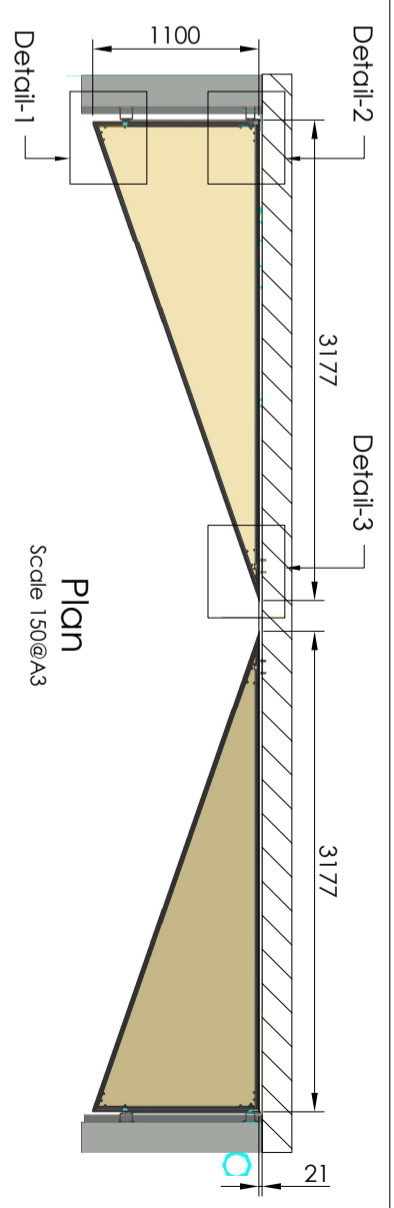
Front Elevation

Scale 1:50@A3



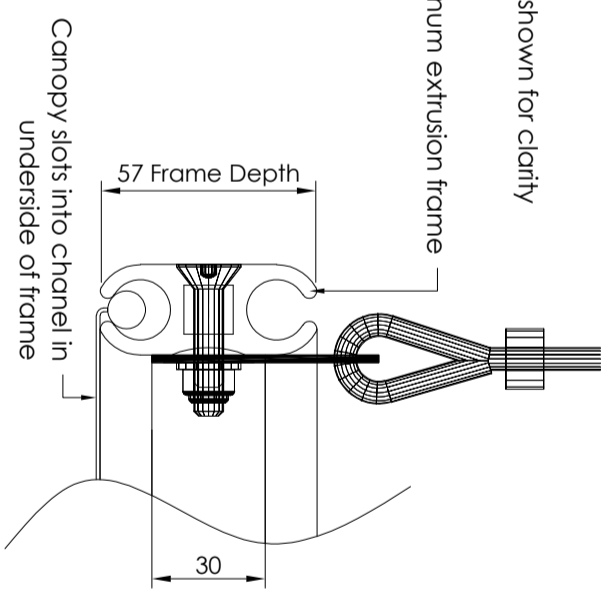
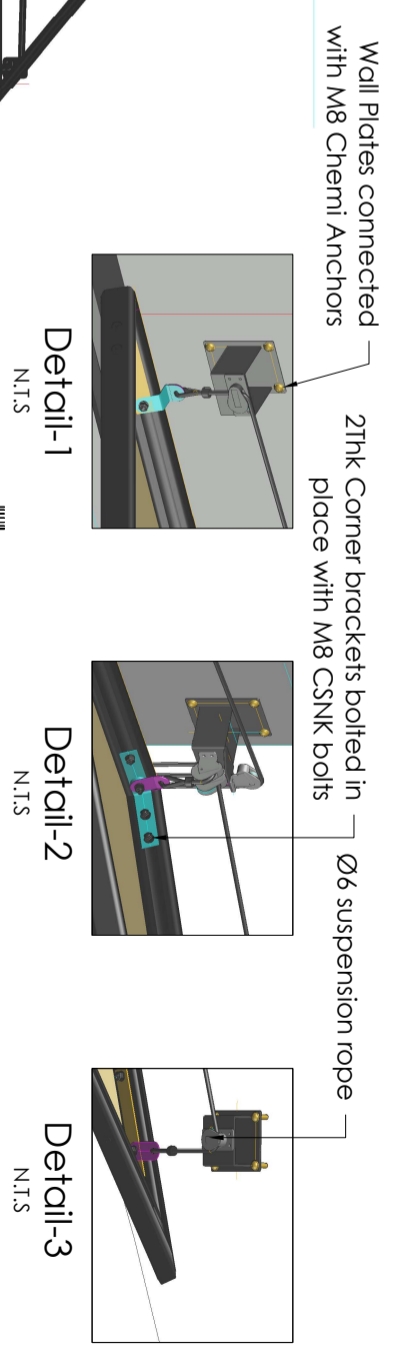
Side Section

Scale 1:50@A3



Plan

Scale 1:50@A3



Typ Section Thru Frame

Scale 1:2@A3



Winch Unit

N.T.S

| Revision | Date | Details |
|----------|----------|----------------------|
| B | 08.09.22 | Winch Height/Top Gap |
| A | 30.08.22 | Winch Position |

Client **ArchAngel Ltd**
 Project **Bat Protection Sails**
 Title **General Arr**
 Scale **Do not scale**
 Date **May 2018**
 Drawn **TY**
 Dwg no. **M2481-100**
 Revision **B**

4, Hillside, Cotham,
 Bristol, BS6 6JP
 T+ 0117 3812 016
 F+ 0117 3812 017
 mail@tensilefabric.co.uk



This drawing and the information it shows are copyright and may not be reproduced without permission.